

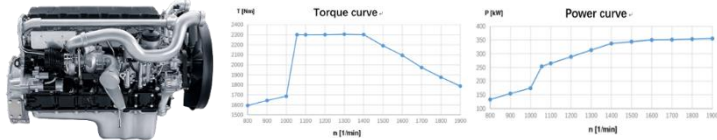
**SINOTRUK**



**MODEL C7H 64480 TT AMT  
6×4 TRACTOR**

## ENGINE

Model	SINOTRUK MC13.48-30
Type	Euro III Emission Standard 6 Cylinder In-line, Water Cooled
Displacement	12.419L
Fuel consumption	≤186g/kWh
Maximum output	480hp( 353Kw) at 1900 rpm
Maximum torque	2300Nm at 1050~1400 rpm



## TRANSMISSION

Model	ZF12TX2621 TD, 12 forward and 2 reverse with retarder
Ratio	16.69; 12.92; 9.93; 7.69; 5.90; 4.57; 3.66; 2.83; 2.17; 1.68; 1.29; 1; 15.54®; 12.03®

## CLUTCH

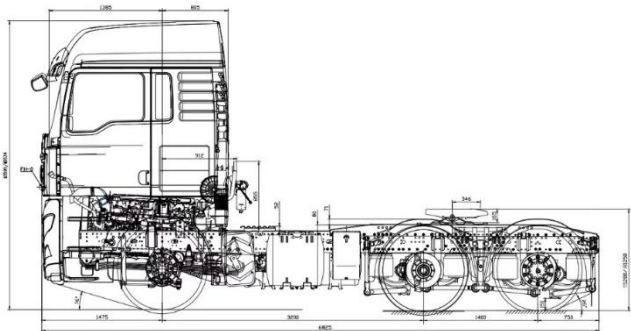
Diameter	430 mm
Type	Single Plate
Operation	Hydraulically-Air Assistance

## PROPELLER SHAFT

Type	Double Universal Joint Propeller Shaft with Gear-shaped Coupling Flange
------	---

## AXLE

Front Axle	Sinotruk VPD71, With Automatic Brake Gap Adjustment Arm
Rear Axle	Sinotruk MCY13Q, With Automatic Brake Gap Adjustment Arm
Ratio	3.36 (Option: 3.08; 3.70)



## CHASSIS

Frame	U-profile Parallel Ladder Frame with Section Of 270x85x8 mm
Suspension	Front 3 Semi-elliptic Leaf Springs Rear Air Springs

## STEERING

Model	BOSCH8098 Power Steering
Operation	Hydraulically-air Assistance
Ratio	22.2-26.2

## BRAKES

Service	Dual Circuit Compressed Air Brake
Parking	Spring Energy on Rear Axles
Auxiliary	Exhaust Brake EVB, EBS/ESC

## WHEELS & TYRES

Rims	9.00x22.5, 10 Hole-steel, Aluminum
Tyres	Front 385/65R22.5 Rear 315/80R22.5 Tubeless

## DRIVER'S CAB

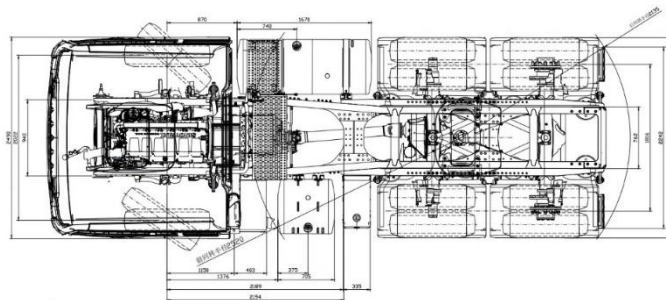
Cab Control	Hydraulically Tiltable To The Front
Seating	Adjustable Air Driver's Seat And Adjustable Rigid Co-driver's Seat, with Heating And Ventilation System
Type	Double Sleepers; 4-point Support Fully Floating Suspension; Stereo Radio/Usb Interface; MP5 Machine

## FUEL TANK

Capacity	600+250L Capacity with Locking Fuel Cap
Material	Aluminum

## ELECTRICS

Operating Voltage	24 V, Negative Grounded
Starter	24 V, 5.5 Kw
Alternator	28 V, 2240 W
Batteries	2 X 12 V, 240 Ah



## DIMENSIONS IN MM

Wheel base	3200+1400
Front wheel track	2022
Rear wheel track	1816
Front overhang	1475
Rear overhang	750
Approach angle (°)	17
Departure angle (°)	26
Overall length	6825
Overall width	2500
Overall height	3595
Height of fifth wheel above road	1280

## MASS IN KG

Vehicle Tare Mass	8840
Front Axle Tare Mass	5000
First Rear Axle Tare Mass	2067
Second Rear Axle Tare Mass	1773
Manufacturer's Gross Vehicle Mass	25000
Manufacturer's Gross Combination Mass	80000
Manufacturer's Gross Front Axle Mass	7700
Manufacturer's Gross Rear Axle Mass	26000
Permissible Gross Vehicle Mass	25700
Permissible Gross Combination Mass	56000
Permissible Front Axle Mass	7700
Permissible Rear Axle Mass	18000

## PERFORMANCE

Maximum Driving Speed (km/h)	110
Maximum Gradeability (%)	35
Minimum Turning Circle (m)	18
Ground Clearance (mm)	151

# SITRAK

## MODEL C7H 64480 TT AMT

All Rights Reserved! The manufacturer reserves the right of technical alternation/change for better improvement without prior notice!