



SINOTRUK

MODEL 84.336

COMPLETE 8x4 18m³ TIPPER

Euro 2

336hp / 250Kw



WE ARE EVERYWHERE IN AFRICA

MODEL 84.336

COMPLETE 8x4 18m³ TIPPER

Euro 2
336hp / 250Kw

CAB	
Cab control	Forward Tilt Cab
Seating	Driver + 1 Passenger
Type/Extras	Day cabin, without sleeper Radio, Suspension Seat

ENGINE	
Make & Model	SINOTRUK WD615.69
Capacity	9726ml
Layout & Type	6-cylinder in-line ,water cooling, turbo-charging and intercooling
Emissions Standard	Euro II
Power @r/min(Kw)	250 @ 2200
Torque @r/min(Nm)	1350 @ 1100-1600

GEARBOX	
Make & Model	SINOTRUK HW19710
Type	10 speed manual
Forward Ratios	14.28 10.62 7.87 5.88 4.38 3.27 2.43 1.8 1.34 1
Backward Ratios	13.91 3.18

CLUTCH	
Diameter	430mm
Type	Single Plate
Operation	Hydraulic-Air Assisted

WHEELS	
Rims	9.00 x 22.5, 10 hole-steel
Tyres	315/80 R22.5 tubeless

BODY	
Type & Size	Front Lifting, 18m ³

STEERING	
Make & Model	ZF8098
Gear Ratio	22.2 - 26.3
Operation	Hydraulic steering with power assistance

FRONT AXLE	
Make & Model	SINOTRUK HF9
Type	Steering with double T-cross section beam

REAR AXLE	
Make & Model	SINOTRUK HC16
Type	Pressed axle housing, Hub reduction drive axle with inter-axle diff. lock
Ratio	4.8

BRAKES	
System Type	Full Air-Dual Circuit with ABS
Park/Emergency System	Spring Brakes / Rear Booster

ELECTRICAL SYSTEM	
System Voltage & Type	24V Negative Earth
Alternator Output	1540W
No. of Batteries	2 X 12V 165Ah

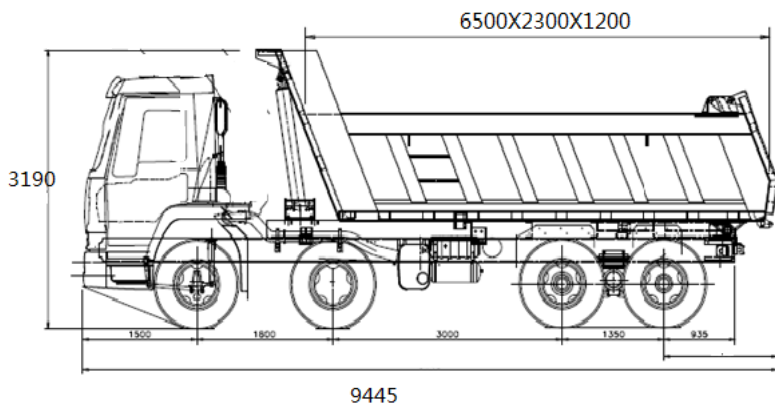
CHASSIS	
Type	U-profile parallel ladder frame
Front Suspension	13/14 semi-elliptic leaf springs with shock absorbers and stabilizer
Rear Suspension	12 leaf semi-elliptic leaf springs with stabilizer

FUEL TANK	
Number	One
Total Capacity	300 Litres

PERFORMANCE	
Maximum Driving Speed	93km/h
Maximum Gradeability	35%
Minimum Turning Circle	21m

MASS DATA	
Vehicle Tare Mass	15070
Gross Combination Mass (GCM)	56000
Gross Vehicle Mass (GVM)	34000
Gross Axle Massload (GA 1)	7000
Gross Axle Massload (GA 2)	7000
Gross Axle Massload (GA 3)	10000
Gross Axle Massload (GA 4)	10000
Permissible Drawing Vehicle Mass (D/T)	56000
Permissible Maximum Vehicle Mass (V)	32000
Permissible Axle Massload (A 1)	7000
Permissible Axle Massload (A 2)	7000
Permissible Axle Massload (A 3)	9000
Permissible Axle Massload (A 4)	9000

DIMENSIONS	
Wheel base	4575
Front wheel track	2022
Rear wheel track	1830
Front overhang	1500
Rear overhang	1795
Approach angle (°)	19
Departure angle (°)	22
Overall length	9445
Overall width	2496
Overall height	3190



Warranty: Two years or 120,000km, including first year or 60,000km (whichever comes first) for complete truck, and second year or 60,000km (whichever comes first) for drive train only.



sales@sinotruk-centurion.co.za
www.sinotruk-centurion.co.za

The above specifications are not binding and are subject to change without prior notice.